

HINGED AND LOCKING REAR COVER INSTALLATION PROCEDURE FOR HORIZONTAL BOXES

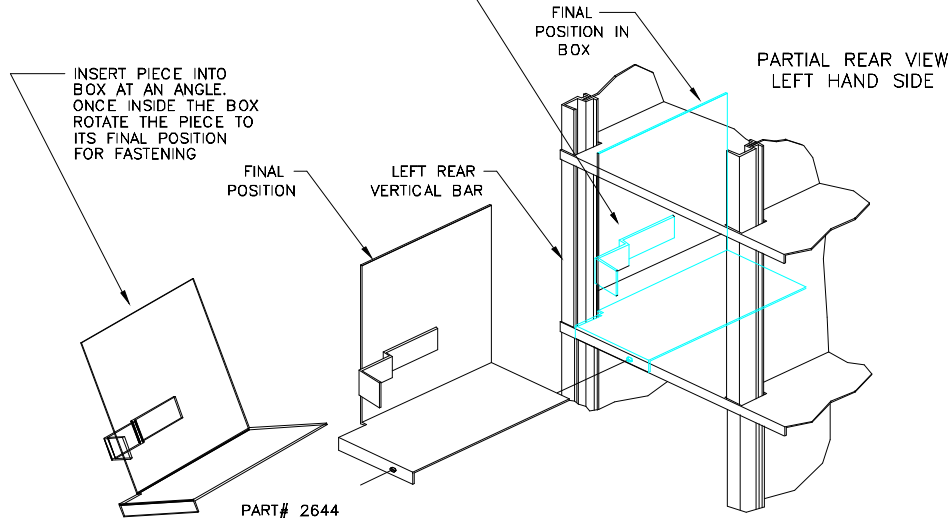
ATTACH DOOR TO VERTICAL BAR WITH (*) RIVETS MAKING SURE THAT TOP OF DOOR IS FLUSH WITH TOP OF TOP DIVIDER PLATE

(*) SIZE OF BOX DETERMINES QUANTITY OF RIVETS

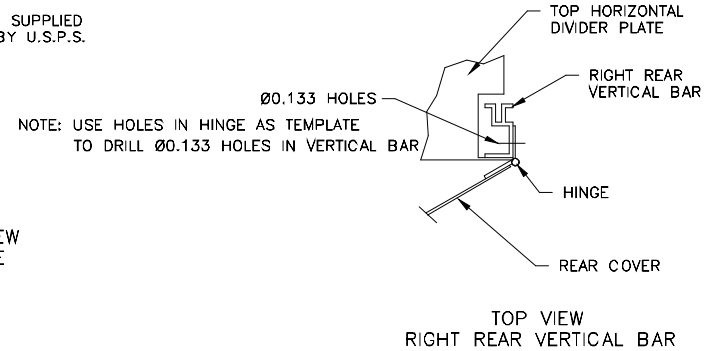
LOCK BRACKET INSTALLATION INSTRUCTIONS:

1. CLOSE REAR COVER AND IDENTIFY THE MAIL BOX OPENING THAT IS BEHIND THE REAR COVER LOCK.
2. USING THE INSERT AS A TEMPLATE, DRILL (1) $\varnothing.133$ HOLE FOR POP RIVET IN THE HORIZONTAL DIVIDER PLATE AT THE LOCATION SHOWN, IN THE MAILBOX OPENING.
3. FASTEN INSERT TO DIVIDER PLATE WITH RIVET

(4W X 7H HORIZONTAL BOX SHOWN)



MASTER LOCK — SUPPLIED AND INSTALLED BY U.S.P.S.



AUTH *AF* FLORENCE
MANUFACTURING COMPANY
5935 CORPORATE DRIVE
MANHATTAN KANSAS 66503